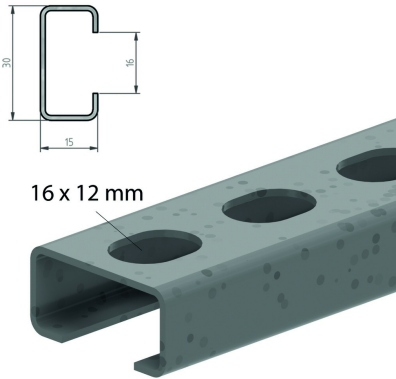


DR15.30

Supporting profile



Max. load: 100 daN	
Standard finish	Pre-galvanised
Optional finish	Hot-dip galvanised
Optional finish PE	Coating

HD Reference	↕ mm	↔ mm	→ ← mm	↔ mm	kg/stk	📦	Stock	Unit
HD DR100	15	30		100	0,060	10	X	STK
HD DR150	15	30		150	0,080	10	X	STK
HD DR200	15	30		200	0,110	10	X	STK
HD DR250	15	30		250	0,130	10	X	STK
HD DR300	15	30		300	0,160	10	X	STK
HD DR350	15	30		350	0,190	10	X	STK
HD DR15.30.2000	15	30		2000	0,600	40		M

To be fixed with two threaded rods TIM8 + nut M8 + CRO8.
Always order the width of the cable tray + 50 mm.