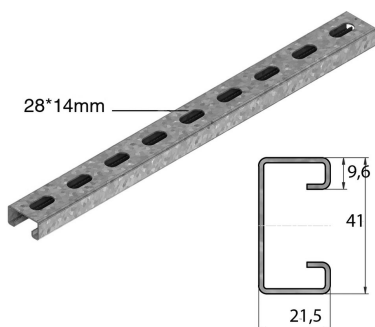


DR21.41

Supporting profile



Max. load: 150 daN	
Standard finish	Pre-galvanised
Optional finish	Hot-dip galvanised
Optional finish PE	Coating

HD	Reference	↑ mm	↔ mm	→ ← mm	↔ mm	kg/stk	📦	Stock	Unit
HD	DR450	21	41		450	0,500	6	X	STK
HD	DR550	21	41		550	0,620	6	X	STK
HD	DR650	21	41		650	0,700	6	X	STK

To order per full packaging.
To be fixed with two threaded rods TIM10 + nut M10 + CRO10.
Always order the width of the cable tray + 50 mm.