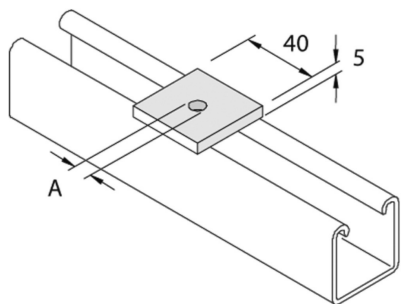


P1020

Fitting Square 40x40 D13



| Standard finish | | Hot-dip galvanised | | | | | | | |
|-----------------|--------------|--------------------|---------|------------|---------|--------|-----|-------|------|
| HD | Reference | ↕ mm | ↔ mm | → ← mm | ↔ mm | kg/stk | 📦 | Stock | Unit |
| - | P1020 | | 40 | 5 | 40 | 0,062 | 100 | X | STK |

A=13, bolt M10/M12

To order per full packaging.

Abbreviation:

- HG = Hot-Dip Galvanised