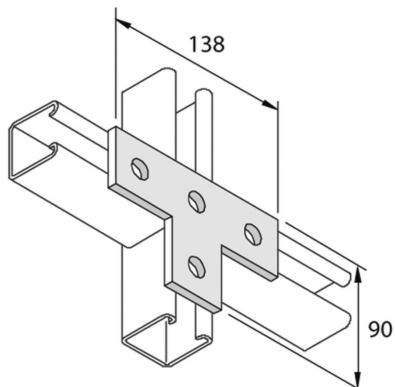


P1031
Fitting flat T 4D14



Standard finish

HD	Reference	↕ mm	↔ mm	→ ← mm	↔ mm	kg/stk	📦	Stock	Unit
-	P1031DF	90			138	0,374	25	X	STK

To order per full packaging.

Abbreviation:

- HG = Hot-Dip Galvanised