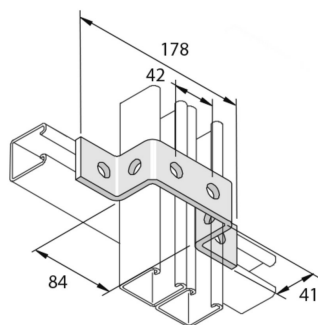


P1043

OM41 Fitting double profile 6D14



Standard finish		Hot-dip galvanised							
HD	Reference	↑ mm	↔ mm	→ ← mm	↔ mm	kg/stk	📦	Stock	Unit
-	P1043	41	40		178	0,389	10		STK

To order per full packaging.

Abbreviation:

- HG = Hot-Dip Galvanised