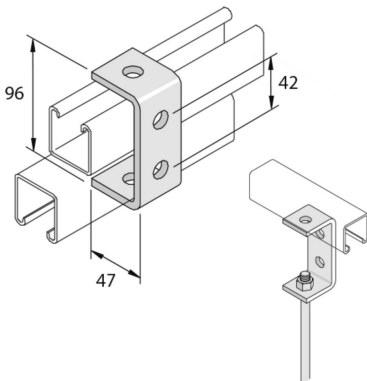


P1044
C96 Fitting 4D14



Standard finish

Hot-dip galvanised

HD	Reference	↕ mm	↔ mm	→ ← mm	↔ mm	kg/stk	📦	Stock	Unit
-	P1044	96	40		47	0,270	10	X	STK

To order per full packaging.

Abbreviation:

- HG = Hot-Dip Galvanised