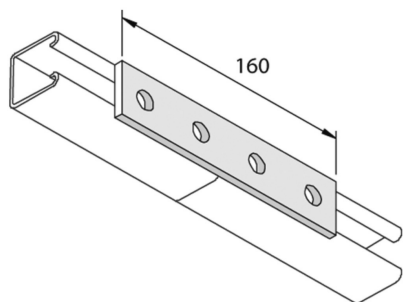


P1067
Fitting flat 4D14



Standard finish

HD	Reference	↕ mm	↔ mm	→ ← mm	↔ mm	kg/stk	📦	Stock	Unit
-	P1067DF		40		160	0,251	20	X	STK

To order per full packaging.

Abbreviation:

- HG = Hot-Dip Galvanised