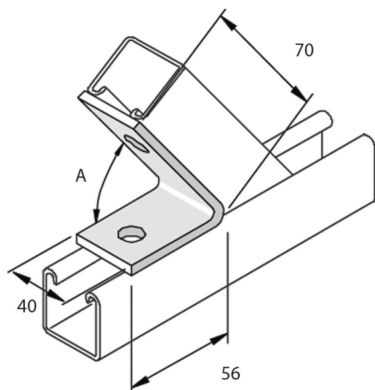


P1186
Fitting angle **135° 2D14**



Standard finish		Hot-dip galvanised							
HD	Reference	↕ mm	↔ mm	↔ mm	↔ mm	kg/stk	📦	Stock	Unit
-	P1186		40		56	0,188	20	X	STK

A = 45°

To order per full packaging.

Abbreviation:

- HG = Hot-Dip Galvanised