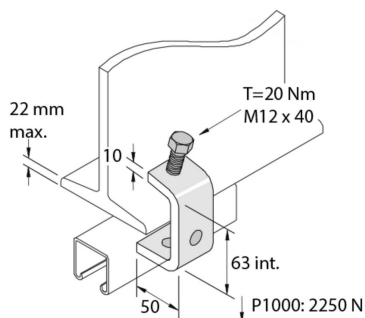


P1271

I-beam clamp C63



Standard finish		Hot-dip galvanised							
HD	Reference	↕ mm	↔ mm	→ ← mm	↔ mm	kg/stk	📦	Stock	Unit
-	P1271	63	40		50	0,428	10	X	STK

To order per full packaging.

Abbreviation:

- HG = Hot-Dip Galvanised