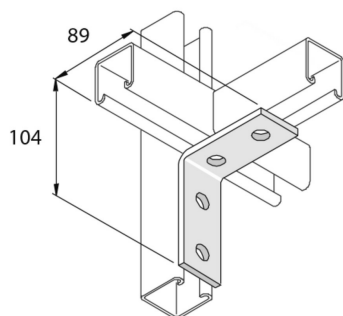


P1325

Fitting 90° angle L 4D14



Standard finish		Hot-dip galvanised							
HD	Reference	↕ mm	↔ mm	→ ← mm	↔ mm	kg/stk	📦	Stock	Unit
-	P1325	89	40		104	0,288	10	X	STK

To order per full packaging.

Abbreviation:

- HG = Hot-Dip Galvanised