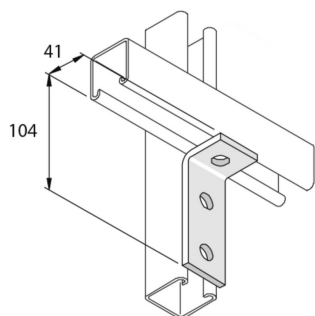


# P1326

## Fitting 90° angle L 2D14



Standard finish		Hot-dip galvanised							
HD	Reference	↕ mm	↔ mm	→  ← mm	↔ mm	kg/stk	📦	Stock	Unit
-	<b>P1326</b>	41	40		104	0,213	20	X	STK

To order per full packaging.

Abbreviation:

- HG = Hot-Dip Galvanised