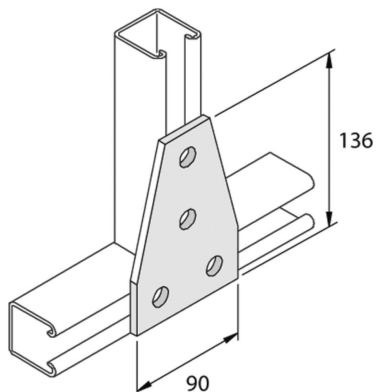


P1358

Fitting flat TR 4D14



Standard finish

HD	Reference	↑ mm	↔ mm	→ ← mm	↔ mm	kg/stk	📦	Stock	Unit
-	P1358DF	136			90	0,480	10	X	STK

To order per full packaging.

Abbreviation:

- HG = Hot-Dip Galvanised