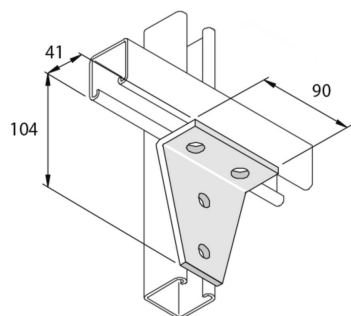


**P1359**  
Fitting 90° angle LTR 4D14



| Standard finish |              | Hot-dip galvanised |         |         |         |        |    |       |      |
|-----------------|--------------|--------------------|---------|---------|---------|--------|----|-------|------|
| HD              | Reference    | ↕<br>mm            | ↔<br>mm | ↔<br>mm | ↔<br>mm | kg/stk | 📦  | Stock | Unit |
| -               | <b>P1359</b> | 104                | 41      |         | 90      | 0,480  | 10 | X     | STK  |

To order per full packaging.

Abbreviation:

- HG = Hot-Dip Galvanised