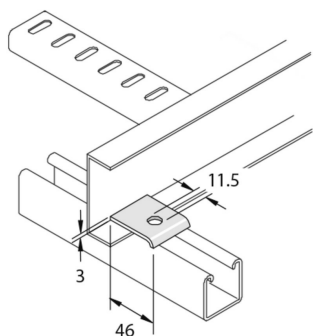


P1386-S1

J46 Profile clamp



Standard finish		Pre-galvanised							
HD	Reference	↕ mm	↔ mm	→ ← mm	↔ mm	kg/stk	📦	Stock	Unit
-	P1386-S1				46	0,044	20	X	STK

To order per full packaging.

Abbreviation:
- ZP = Zinc Plated