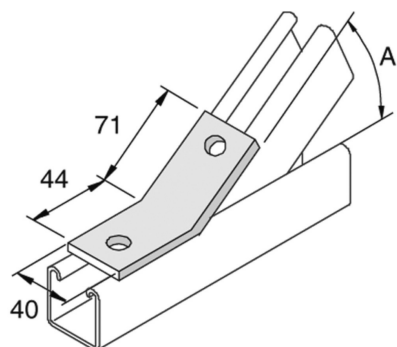


# P1546

## Fitting angle 45° 2D14



Standard finish		Hot-dip galvanised							
HD	Reference	↕ mm	↔ mm	↔ mm	↔ mm	kg/stk	📦	Stock	Unit
-	<b>P1546</b>		40			0,188	10	X	STK

A = 45°

To order per full packaging.

Abbreviation:

- HG = Hot-Dip Galvanised