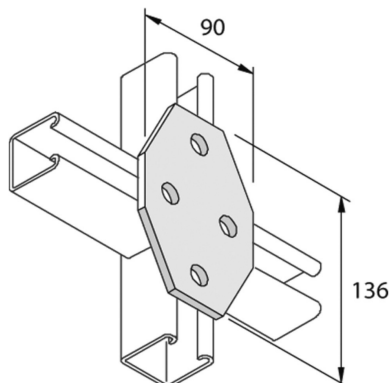


P1580
Fitting flat X 4D14



Standard finish		Hot-dip galvanised							
HD	Reference	↕ mm	↔ mm	↔ mm	↔ mm	kg/stk	📦	Stock	Unit
-	P1580		90		136	0,480	10		STK

To order per full packaging.

Abbreviation:
- HG = Hot-Dip Galvanised