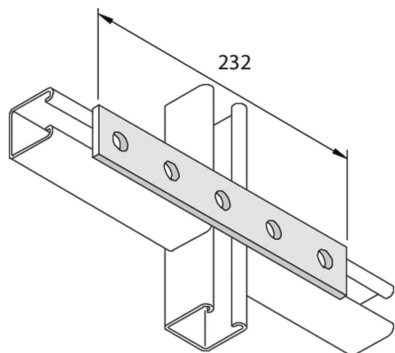


P1941
Fitting flat 5D14



Standard finish		Hot-dip galvanised							
HD	Reference	↕ mm	↔ mm	→ ← mm	↔ mm	kg/stk	📦	Stock	Unit
-	P1941		40		232	0,364	20	X	STK

To order per full packaging.

Abbreviation:
- HG = Hot-Dip Galvanised