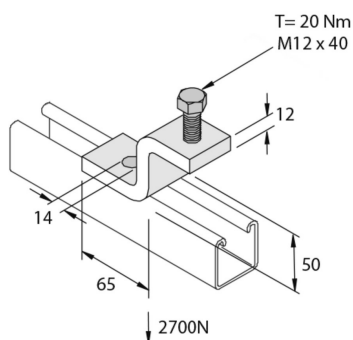


P1983

Z50 Clamp



Standard finish		Hot-dip galvanised							
HD	Reference	mm	mm	mm	mm	kg/stk	Stock	Unit	
-	P1983	50	40			0,385	10	STK	

To order per full packaging.

Abbreviation:
- HG = Hot-Dip Galvanised