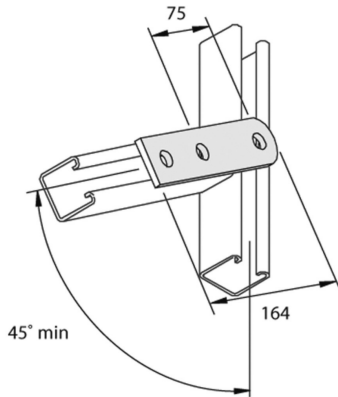


# P2322

## Fitting flat 3D14



Standard finish		Hot-dip galvanised							
HD	Reference	↕ mm	↔ mm	↔ mm	↔ mm	kg/stk	📦	Stock	Unit
-	<b>P2322</b>				164	0,238	20		STK

To order per full packaging.

Abbreviation:

- HG = Hot-Dip Galvanised