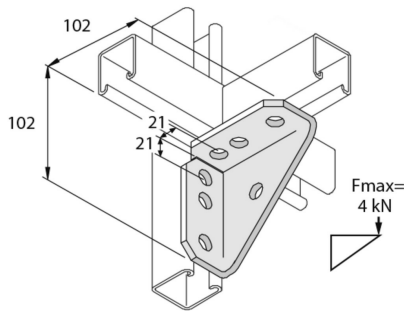


P2484

Fitting 90° angle TR 7D14



Standard finish

HD	Reference	↕ mm	↔ mm	→ ← mm	↔ mm	kg/stk	📦	Stock	Unit
-	P2484DF	102			102	0,608	10	X	STK

To order per full packaging.

Abbreviation:

- HG = Hot-Dip Galvanised