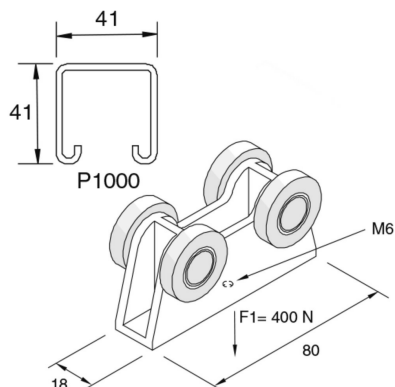


P2750/1

Channel trolley assembly



Standard finish		Polyvinyl chloride							
HD	Reference	↕ mm	↔ mm	↔ mm	↔ mm	kg/stk	📦	Stock	Unit
-	P2750/1				80	0,221	1	X	STK

POM (polyacetal)

To order per full packaging.