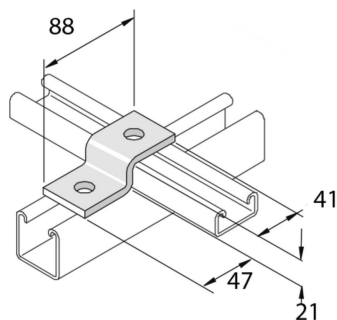


P4045

Z21 Fitting single profile 2D14



Standard finish		Hot-dip galvanised							
HD	Reference	mm	mm	mm	mm	kg/stk	Stock	Unit	
-	P4045	21			88	0,160	X	STK	

To order per full packaging.

Abbreviation:

- HG = Hot-Dip Galvanised