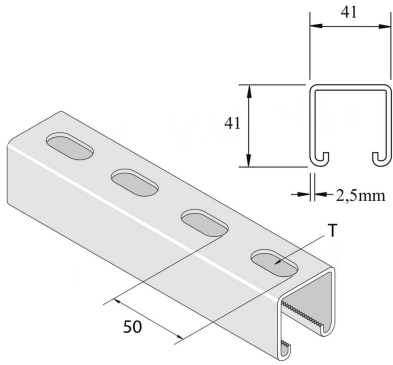


P1000T

Assembly profile



Standard finish		Pre-galvanised							
HD	Reference	↕ mm	↔ mm	↔ mm	↔ mm	kg/m	📦	Stock	Unit
-	P1000TP	41	41	2,5	6000	2,730	6	X	M
-	P1000T	41	41	2,5	6000	2,730	6	X	M
-	P1000TDF	41	41	2,5	6000	2,647	6	X	M
-	P1000TPX3	41	41	2,5	3000	2,605	3		M
-	P1000TX3	41	41	2,5	3000	2,730	3	X	M
-	P1000T10X3	41	41	2,5	3000	2,685	3		M
-	P1000TX3DF	41	41	2,5	3000	2,647	3		M
-	P1000TX2000	41	41	2,5	3000	2,462	2	X	M
-	P1000THX2	41	41	2,5	2000	2,730	2		M
-	P1000THX2000	41	41	2,5	2000	2,630	2		M

T = 28x14mm

Abbreviation:

- PO = Plain Oil
- ZP = Zinc Plated
- HG = Hot-dip Galvanised
- DF = Defender