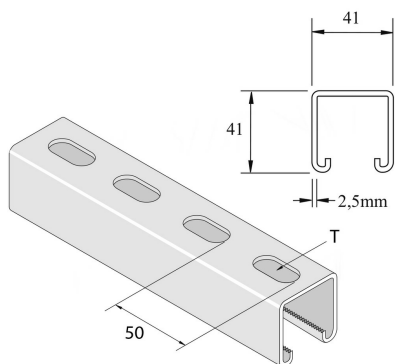


P1000T10

Assembly profile



Standard finish		Pre-galvanised							
Optional finish		Coating							
HD	Reference	↕ mm	↔ mm	→ ← mm	↔ mm	kg/m	📦	Stock	Unit
-	P1000T10X3	41	41	2,5	3000	2,685	3		M

T = 25x11mm

Abbreviation:

- PO = Plain Oil
- ZP = Zinc Plated
- HG = Hot-dip Galvanised
- DF = Defender