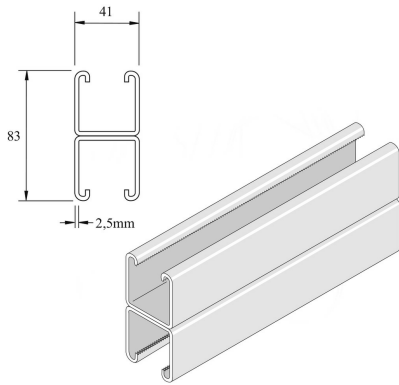


# P1001

## Assembly profile



Standard finish

Pre-galvanised

HD	Reference	↕ mm	↔ mm	→  ← mm	↔↔ mm	kg/m	📦	Stock	Unit
-	<b>P1001PG</b>	83	41	2,5	6000	5,744	6	X	M
-	<b>P1001</b>	83	41	2,5	6000	5,770	6	X	M
-	<b>P1001X3000</b>	83	41	2,5	3000	5,770	3		M

Abbreviation:

- ZP = Zinc Plated
- HG = Hot-Dip Galvanised