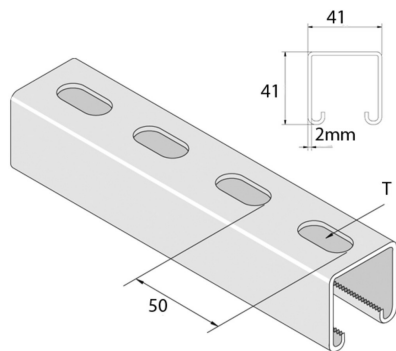


P1100T

Assembly profile



Standard finish		Pre-galvanised							
Optional finish		Coating							
HD	Reference	↕ mm	↔ mm	→ ← mm	↔ mm	kg/m	📦	Stock	Unit
-	P1100T	41	41	2	6000	2,184	6	X	M
-	P1100TH	41	41	2	6000	2,184	6	X	M
-	P1100TX3	41	41	2	3000	2,184	3	X	M

Abbreviation:
 - ZP = Zinc Plated
 - HG = Hot-Dip Galvanised