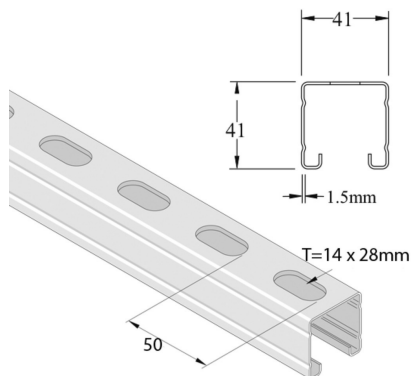


P2000T

Assembly profile



Standard finish		Pre-galvanised							
Optional finish		Coating							
HD	Reference	↕ mm	↔ mm	→ ← mm	↔ mm	kg/m	📦	Stock	Unit
-	P2000T	41	41	1,5	6000	1,720	6	X	M
-	P2000TX3	41	41	1,5	3000	1,720	3		M

Abbreviation:
- ZP = Zinc Plated