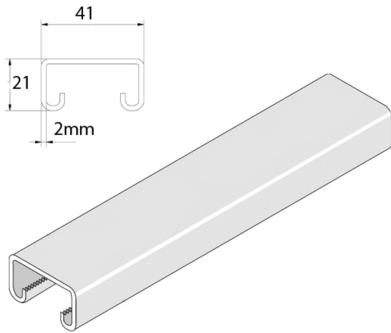


P3100

Assembly profile



Standard finish		Pre-galvanised							
Optional finish PE		Duplex system							
HD	Reference	↕ mm	↔ mm	→ ← mm	↔ mm	kg/m	📦	Stock	Unit
-	P3100P	21	41	2,0	6000	1,646	6		M

Abbreviation:
 - PO = Plain Oil
 - ZP = Zinc Plated
 - HG = Hot-Dip Galvanised