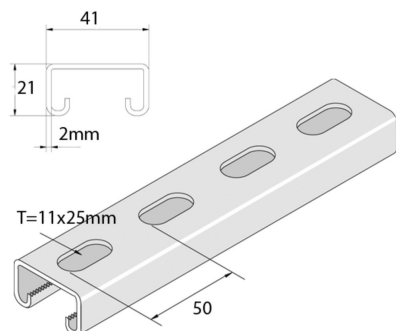


P3100T10

Assembly profile



Standard finish		Pre-galvanised							
Optional finish		Coating							
HD	Reference	↕ mm	↔ mm	→ ← mm	↔ mm	kg/m	📦	Stock	Unit
-	P3100T10	21	41	2	6000	1,408	6	X	M
-	P3100TH10	21	41	2	6000	1,408	6		M
-	P3100T10X2	21	41	2	3000	1,531	2	X	M
-	P3100T10X3	21	41	2	3000	1,408	3	X	M

Abbreviation:
 - PO = Plain Oil
 - ZP = Zinc Plated
 - HG = Hot-Dip Galvanised