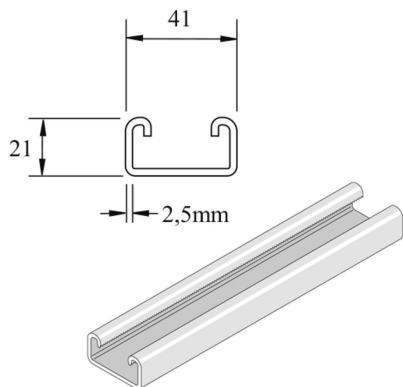


P3300

Assembly profile



Standard finish		Pre-galvanised							
HD	Reference	↕ mm	↔ mm	→ ← mm	↔ mm	kg/m	📦	Stock	Unit
-	P3300P	21	41	2,5	6000	1,910	6	X	M
-	P3300	21	41	2,5	6000	1,910	6	X	M
-	P3300H	21	41	2,5	6000	1,910	6		M
-	P3300X3	21	41	2,5	3000	1,910	3		M

- Abbreviation:
- PO = Plain Oil
 - ZP = Zinc Plated
 - HG = Hot-Dip Galvanised