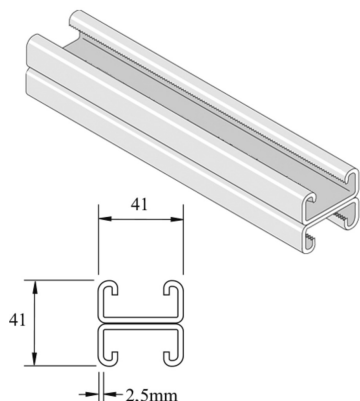


P3301

Assembly profile



Standard finish		Hot-dip galvanised							
Optional finish PE		Duplex system							
HD	Reference	↕ mm	↔ mm	→ ← mm	↔ mm	kg/m	📦	Stock	Unit
-	P3301	41	41	2,5	6000	3,760	6		M

Abbreviation:
 - ZP = Zinc Plated
 - HG = Hot-Dip Galvanised
 - DF = Defender