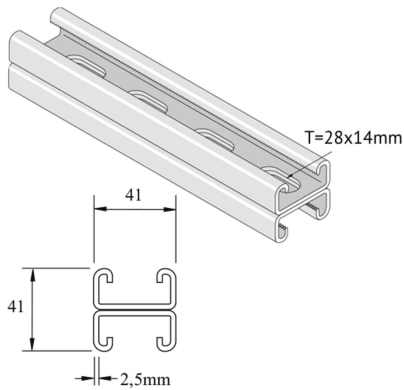


P3301T

Assembly profile



Standard finish

Optional finish PE

Duplex system

HD	Reference	↕ mm	↔ mm	→ ← mm	↔ mm	kg/m	📦	Stock	Unit
-	P3301TDF	41	41	2,5	6000	3,246	6		M

Abbreviation:

- ZP = Zinc Plated
- HG = Hot-Dip Galvanised
- DF = Defender