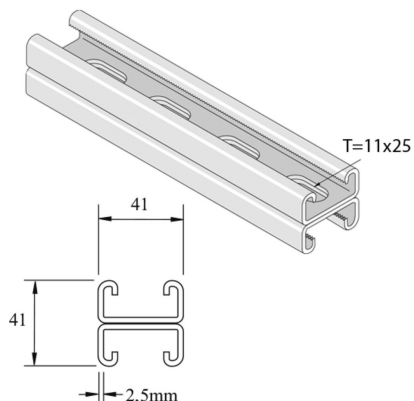


P3301T10

Assembly profile



Standard finish		Black Steel							
HD	Reference	↕ mm	↔ mm	→ ← mm	↔ mm	kg/m	📦	Stock	Unit
-	P3301T10P	41	41	2,5	6000	3,590	150		M
-	P3301T10PG	41	41	2,5	6000	3,530	6	X	M
-	P3301T10DF	41	41	2,5	6000	3,530	6	X	M
-	P3301T10PGX3	41	41	2,5	3000	3,530	3	X	M
-	P3301T10HX3	41	41	2,5	3000	3,530	75		M

Abbreviation:
 - ZP = Zinc Plated
 - HG = Hot-Dip Galvanised
 - DF = Defender