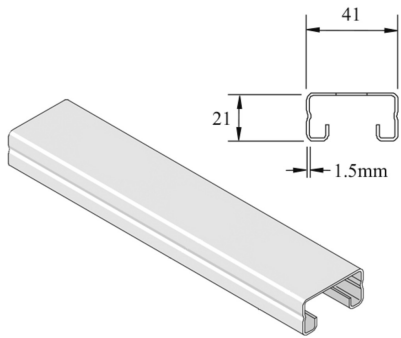


P4000

Assembly profile



Standard finish		Pre-galvanised							
Optional finish		Coating							
HD	Reference	↕ mm	↔ mm	→ ← mm	↔ mm	kg/m	📦	Stock	Unit
-	P4000	21	41	1,5	6000	1,242	6		M

Abbreviation:
- ZP = Zinc Plated