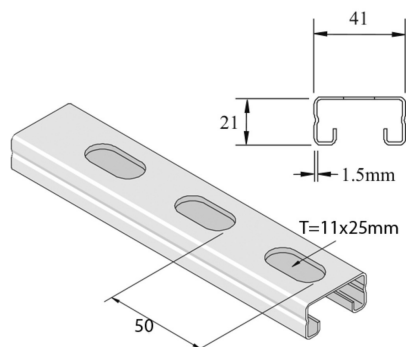


P4000T10

Assembly profile



Standard finish		Pre-galvanised							
Optional finish		Coating							
HD	Reference	↕ mm	↔ mm	→ ← mm	↔ mm	kg/m	📦	Stock	Unit
-	P4000	21	41	1,5	6000	1,242	6		M
-	P4000T10	21	41	1,5	6000	1,160	6	X	M
-	P4000T10X2	21	41	1,5	3000	1,103	2	X	M
-	P4000T10X3	21	41	1,5	3000	1,160	3	X	M

Abbreviation:
- ZP = Zinc Plated