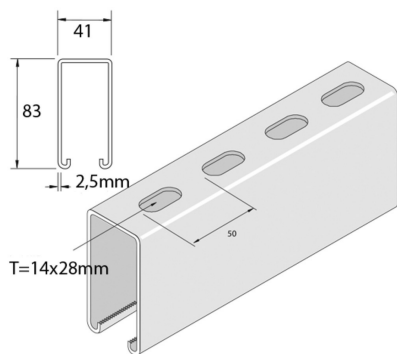


P5000T

Assembly profile



Standard finish		Pre-galvanised							
Optional finish		Coating							
HD	Reference	↕ mm	↔ mm	→ ← mm	↔ mm	kg/m	📦	Stock	Unit
-	P5000T	83	41	2,5	6000	4,050	6		M
-	P5000TX3	83	41	2,5	3000	3,926	60		M
-	P5000TH	83	41	2,5	6000	4,050	6		M

Abbreviation:
 - PO = Plain Oil
 - ZP = Zinc Plated
 - HG = Hot-Dip Galvanised