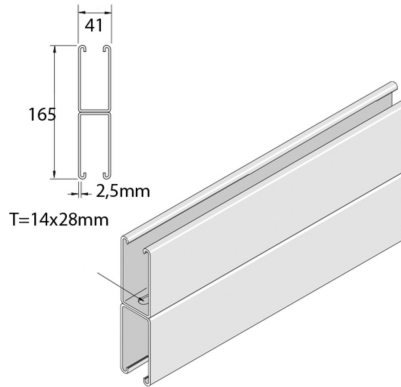


P5001T

Assembly profile



Standard finish		Hot-dip galvanised							
HD	Reference	↕ mm	↔ mm	→ ← mm	↔ mm	kg/m	📦	Stock	Unit
-	P5001TH	165	41	2,5	6000	8,110	240		M

Abbreviation:
- HG = Hot-Dip Galvanised