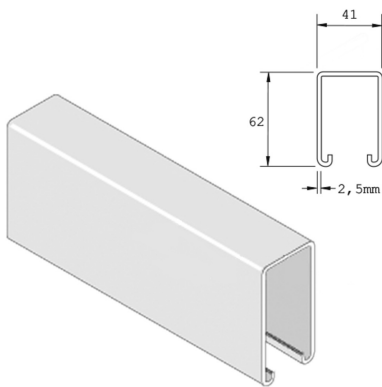


P5500

Assembly profile



Standard finish		Pre-galvanised							
Optional finish		Coating							
HD	Reference	↕ mm	↔ mm	→ ← mm	↔ mm	kg/m	📦	Stock	Unit
-	P5500	62	41	2,5	6000	3,750	6		M

Abbreviation:
 - ZP = Zinc Plated
 - DF = Defender