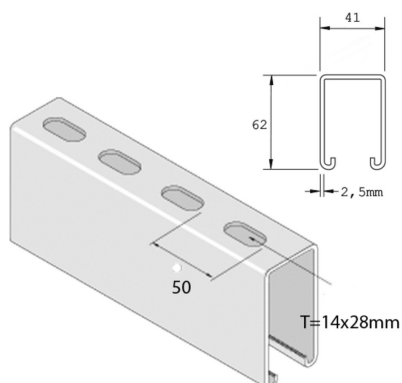


P5500T

Assembly profile



Standard finish		Pre-galvanised							
Optional finish		Coating							
HD	Reference	↕ mm	↔ mm	→ ← mm	↔ mm	kg/m	📦	Stock	Unit
-	P5500T	62	41	2,5	6000	3,600	6	X	M
-	P5500TDF	62	41	2,5	6000	3,490	6		M
-	P5500TX3000	62	41	2,5	3000	3,600	3		M
-	P5500TDFX3	62	41	2,5	3000	3,490	3		M
-	P5500THX3	62	41	2,5	3000	3,600	90		M

Abbreviation:
 - ZP = Zinc Plated
 - DF = Defender