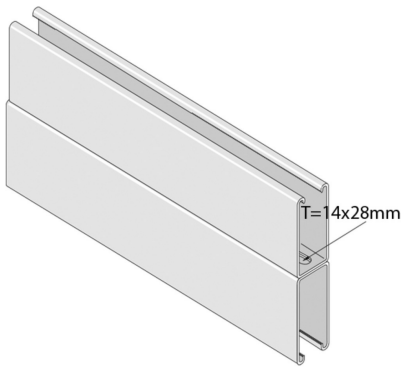


P5501T

Assembly profile



Standard finish		Pre-galvanised							
Optional finish		Coating							
HD	Reference	↕ mm	↔ mm	→ ← mm	↔ mm	kg/m	📦	Stock	Unit
-	P5001TPG	165	41	2,5	6000	8,110	6		M
-	P5501TH	124	41	2,5	6000	7,210	6		M
-	P5501TPG	124	41	2,5	6000	7,210	6	X	M

Abbreviation:

- ZP = Zinc Plated
- HG = Hot-Dip Galvanised