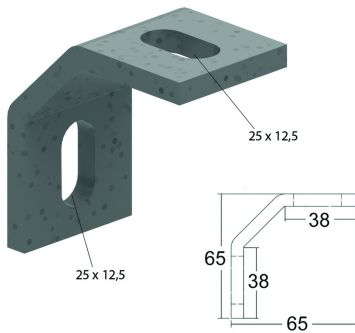


HDWVPIPE

Bolted bracket



Reference	↕ mm	↔ mm	→ ← mm	↔ mm	kg/stk	📦	Unit
HDWVPIPE	65	65	6,5		0,190	10	STK