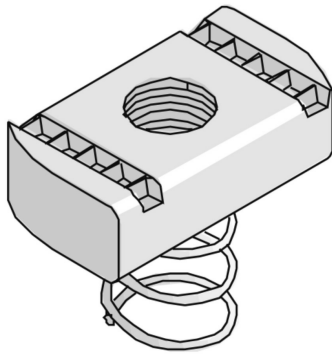


# PNS

## Sliding nut for supporting profile



Reference	$\updownarrow$ mm	$\leftrightarrow$ mm	$\rightarrow\parallel\leftarrow$ mm	$\rightleftarrows$ mm	kg/stk		Unit
<b>PNS06ZP</b>			M6		0,031	100	STK
<b>PNS08ZP</b>			M8		0,035	100	STK
<b>PNS10ZP</b>			M10		0,039	100	STK
<b>PNS12AZP</b>			M12		0,036	100	STK
<b>PNS06HG</b>			M6		0,031	100	STK
<b>PNS08HG</b>			M8		0,035	100	STK
<b>PNS10HG</b>			M10		0,039	100	STK
<b>PNS12AHG</b>			M12		0,036	100	STK

Applicable for 41x21 profile  
Dimensions comply with ISO965-2.