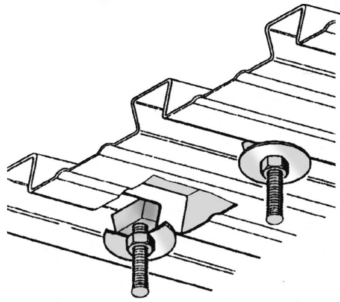


## VN Special Ceiling Mounting System



Reference	↕ mm	↔ mm	→  ← mm	↔ mm	kg/stk	📦	Unit
<b>VN10</b>	13	13		25	0,018	100	STK