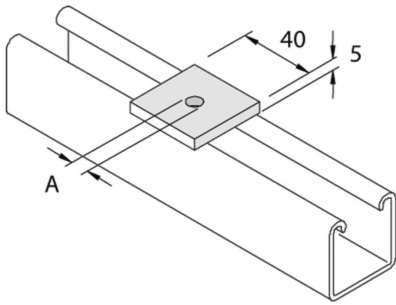


**P1020**  
**Fitting Square 40x40 D13**



| Reference      | Finish | ↕<br>mm | ↔<br>mm | →  ←<br>mm | ↔<br>mm | kg/stk | 📦   | Unit |
|----------------|--------|---------|---------|------------|---------|--------|-----|------|
| <b>P1020</b>   | HD     |         | 40      | 5,0        | 40      | 0,062  | 100 | STK  |
| <b>P1020DF</b> | DF     |         | 40      | 5          | 40      | 0,062  | 100 | STK  |

A=13, bolt M10/M12

Abbreviation:

- HG = Hot-Dip Galvanised

**Legend finish**

- HD =

- DF = Defender