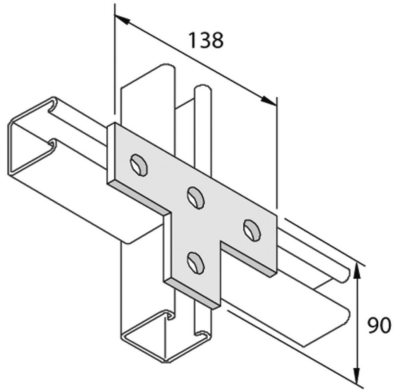


P1031
Fitting flat T 4D14



Reference	Finish	↕ mm	↔ mm	→ ← mm	↔ mm	kg/stk	📦	Unit
P1031	HD		90		138	0,374	10	STK
P1031DF	DF	90			138	0,374	10	STK

Abbreviation:
- HG = Hot-Dip Galvanised

Legend finish
- HD =
- DF = Defender