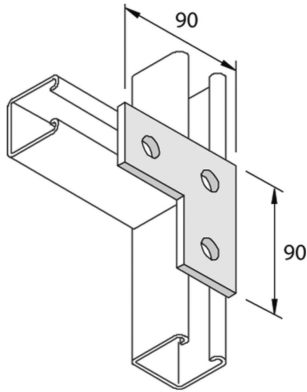


P1036
Fitting flat 90x90 3D14



Reference	Finish	↕ mm	↔ mm	→ ← mm	↔ mm	kg/stk	📦	Unit
P1036	HD		90		90	0,233	20	STK
P1036DF	DF		90		90	0,206	20	STK

Abbreviation:
- HG = Hot-Dip Galvanised

Legend finish
- HD =
- DF = Defender