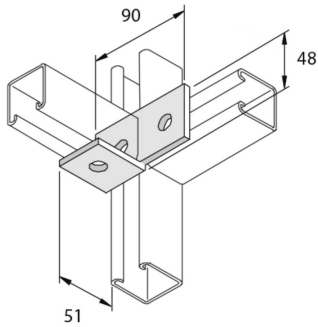


**P1038**  
Fitting 90° angle 90x51 3D14



| Reference    | Finish | ↕<br>mm | ↔<br>mm | →  ←<br>mm | ↔<br>mm | kg/stk | 📦  | Unit |
|--------------|--------|---------|---------|------------|---------|--------|----|------|
| <b>P1038</b> | HG     | 51      | 48      |            | 90      | 0,317  | 10 | STK  |

Abbreviation:  
- HG = Hot-Dip Galvanised

**Legend finish**  
- HG = Hot-dip galvanised