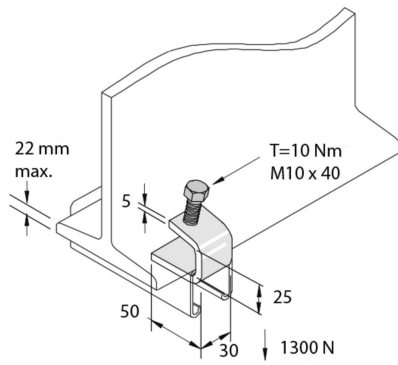


# P1272

## I-beam clamp C25



Reference	Finish	↕ mm	↔ mm	→  ← mm	↔ mm	kg/stk	📦	Unit
<b>P1272</b>	HG	25	30		50	0,119	20	STK

Abbreviation:  
- HG = Hot-Dip Galvanised

**Legend finish**  
- HG = Hot-dip galvanised