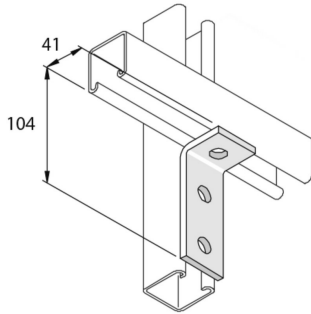


P1326
Fitting 90° angle L 2D14



Reference	Finish	↕ mm	↔ mm	→ ← mm	↔ mm	kg/stk	📦	Unit
P1326	HG	41	40		104	0,213	20	STK

Abbreviation:
- HG = Hot-Dip Galvanised

Legend finish
- HG = Hot-dip galvanised