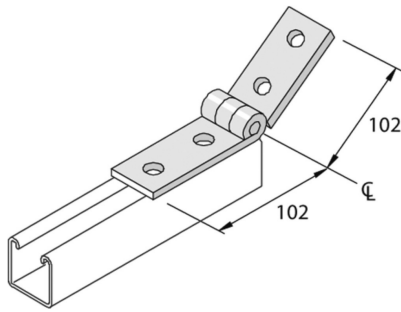


**P1354**  
**Hinge Fitting 4D14**



Reference	Finish	↕ mm	↔ mm	→  ← mm	↔ mm	kg/stk	📦	Unit
<b>P1354</b>	ZP		40		102	0,452	10	STK
<b>P1354DF</b>	DF		40			0,550	10	STK

Abbreviation:  
- ZP = Zinc Plated

**Legend finish**  
- ZP = Zinc plated  
- DF = Defender